

Fig. 1

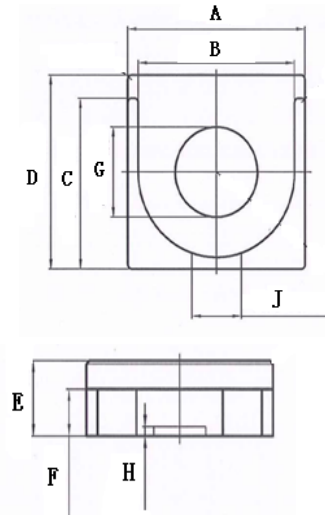


Fig. 2

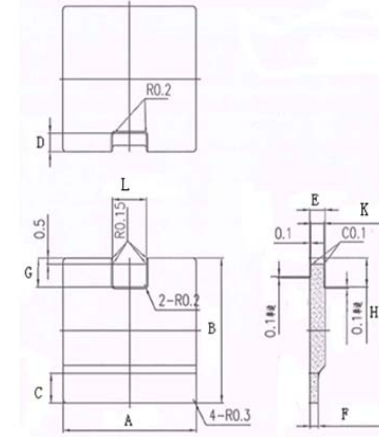
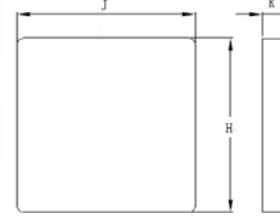


Fig. 3

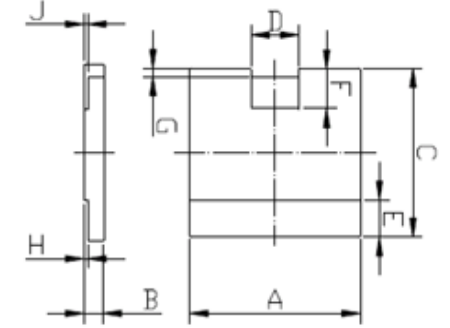


Fig. 4

EP01型

| 尺寸Dim 型号Type | 图形 Fig. | A=A1 (mm) | B (mm) | C (mm) | D=D1 (mm) | E (mm) | F (mm) | G (mm) | H (mm) | J (mm) | K (mm) | L (mm) |
|-----------------|------------|--------------|---------------------|---------------------|--|---------------------|--------------------|----------------|--------------------|-----------|-----------|-----------|
| EP018.3 | 1 | 8.25±0.2 | 8.4±0.2 | 4.19 ^{max} | <small>D1: 2.85±0.102; 5.3±0.2</small> | 6.75 ^{MIN} | 3.0 ^{MIN} | — | 3.0 ^{MIN} | 8.25±0.20 | 0.95±0.1 | — |
| EP012.5 | 2 | 12.6±0.15 | 11.0+0.25/-0.05 | 11.0±0.2 | 12.5+0.2/-0.1 | 4.150.15 | 2.550.1 | 5.8+0.1/-0.05 | 0.5+0.2/-0.1 | 3.50.15 | — | — |
| EPI12.5 | 3 | 12.6±0.15 | 11.7+0.2/-0.1 | 2.35+0.2/-0.1 | 1.5+0.2/-0.1 | 1.450.1 | 0.80.08 | 2.3+0.2/-0.1 | — | — | 1.25±0.05 | 3.2±0.1 |
| EP012.5B | 2 | 12.5±0.2 | 10.8 ^{MIN} | 11±0.15 | 12.5±0.25 | 4.2±0.15 | 2.7±0.1 | 5.7±0.15 | 0.6±0.15 | 3.5±0.1 | — | — |
| EPI12.5B | 4 | 12.5±0.2 | 1.4±0.05 | 12.0±0.2 | 3.2±0.1 | 2.35±0.1 | 2.5±0.1 | 0.35±0.1 | 0.25±0.05 | 0.1±0.05 | — | — |
| EP0123 | 2 | 23±0.3 | 20.3 ^{MIN} | 22.0 ^{ref} | 23±0.3 | 10.4±0.1 | 7.4±0.15 | 11.6+0.2/-0.15 | — | — | — | — |